

PRODUCT DATASHEET

ISOFLEX™-LT Isolation Kit

ISOFLEX™-LT is a flange isolation gasket made of NEMA grade glass-reinforced epoxy (GRE) with Flexpro® (*kammprofile*) style serrations faced with Corriculite®.

Service:

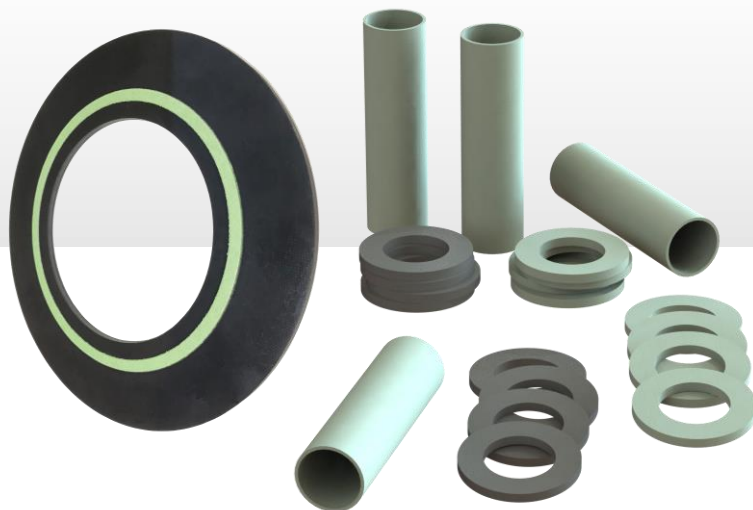
Suitable for use in applications involving hot and cold water, steam, oils, fuels, gases and a wide range of general chemicals.

Recommended Temperature Range:

Ring Material/Facing Material	Minimum Temperature °F (°C)	Maximum Temperature °F (°C)
G10/Corriculite®	-49 (-45)	302 (150)
G11/Corriculite®	-49 (-45)	392 (200)
G10/PTFE	-200 (-129)	302 (150)
G11/PTFE	-200 (-129)	392 (200)

Isolation Kit Components:

- Isolation Gasket** – ISOFLEX™-LT, G10 or G11 base ring with Corriculite® facing material. Additional facing material available upon request.
- Isolation Sleeves** – Mylar, Nylon, PTFE, G10, or G11
- Isolation Washers** – G10, or G11
- Metallic Washers** – Zinc plated carbon steel

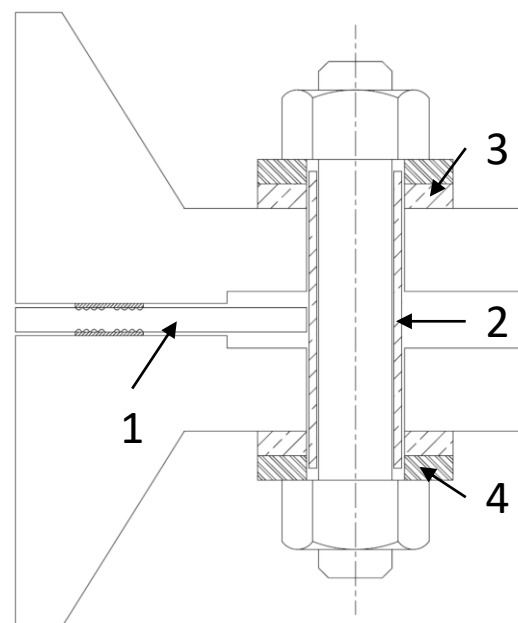


Availability:

All ANSI, ASME B16.5, and AWWA sizes. Pressure class up to 900#.

Thickness: 1/8"

Color: Black and green

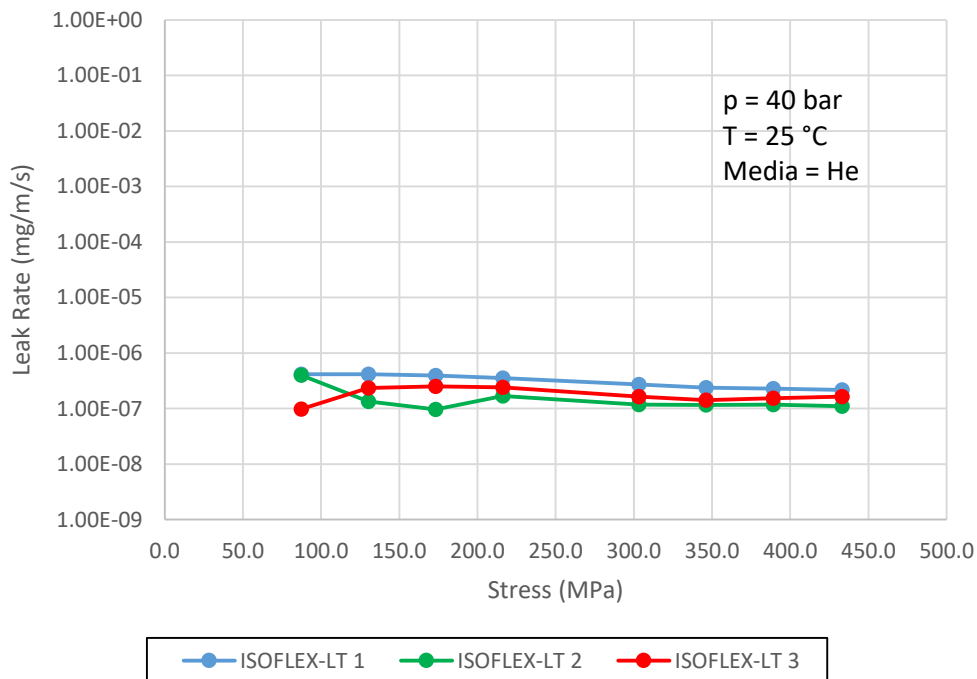


PRODUCT DATASHEET

Typical GRE Components Physical Properties:

Properties	Test Standard	Typical Value	Unit
Breakdown Voltage	ASTM D149	45	kV
Dielectric Strength	ASTM D149	550	V/mil
Impact Strength	ASTM D256	12	ft-lb/in
Flexural Strength	ASTM D790	55	ksi
Tensile Strength	ASTM D638	50	ksi
Compressive Strength	ASTM D695	50	ksi
Sheer Strength	ASTM D732	22	ksi
Water Absorption	ASTM D570	0.1	%

Typical Sealing Performance



Gasket Factors:

M	2.0
Y	2500

This data sheet refers to the material as supplied. The information contained herein is given in good faith, but no liability will be accepted by the Company in relation to same.

We reserve the right to change the details given on this data sheet as additional information is acquired. Customers requiring the latest version of this data sheet should contact our Applications Engineering Department.

The information given and, in particular, any parameters, should be used for guidance purposes only. The company does not give any warranty that the product will be suitable for the use intended by the customer.